

Installation and operating guidelines

Storage of EUROFLEX® Products and adhesive cements

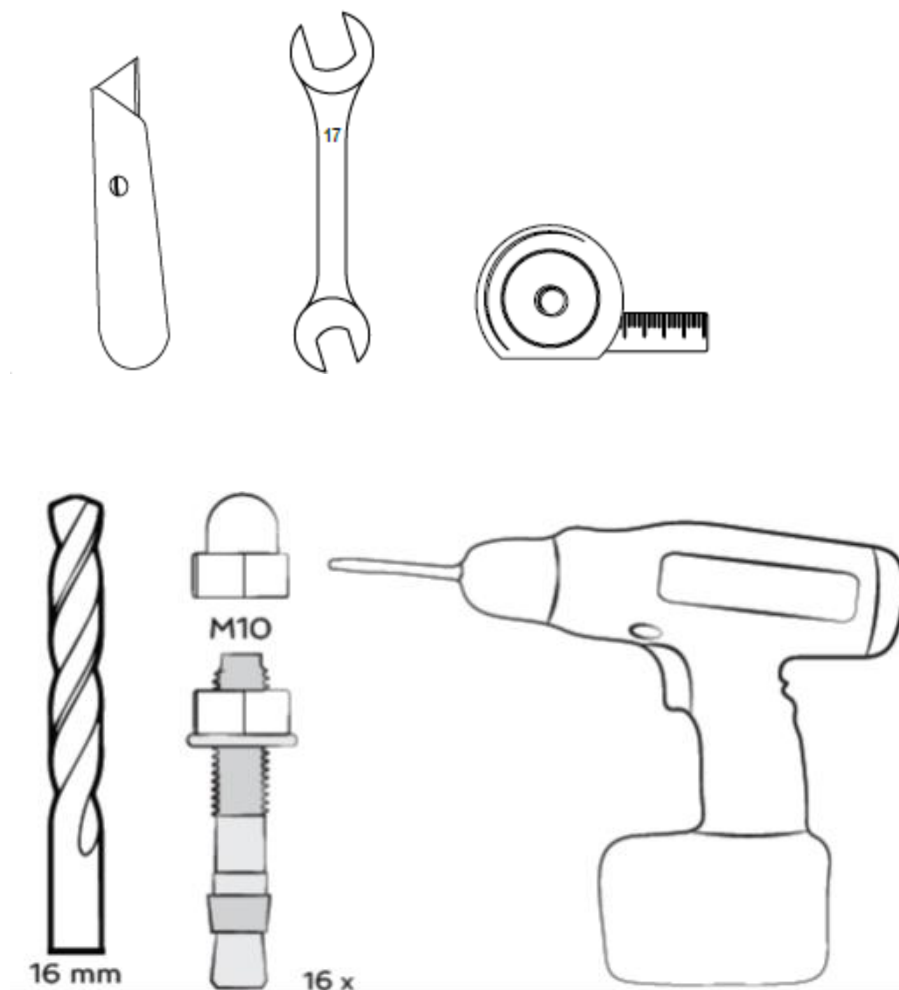
EUROFLEX® products should normally be stored in dry areas at constant temperature above 10°C. If stored below 10°C, store the slabs at the installation site temperature (> 10°C) for at least 2 hours before installation.

Important note: Adhesive cements must be stored at all times in dry locations above 0°C.

To avoid colour variations due to differences in sunlight exposure, leave the UV protection film on the products as supplied until just prior to installation.

Required Tools

Special hex-wrench (will be provided)

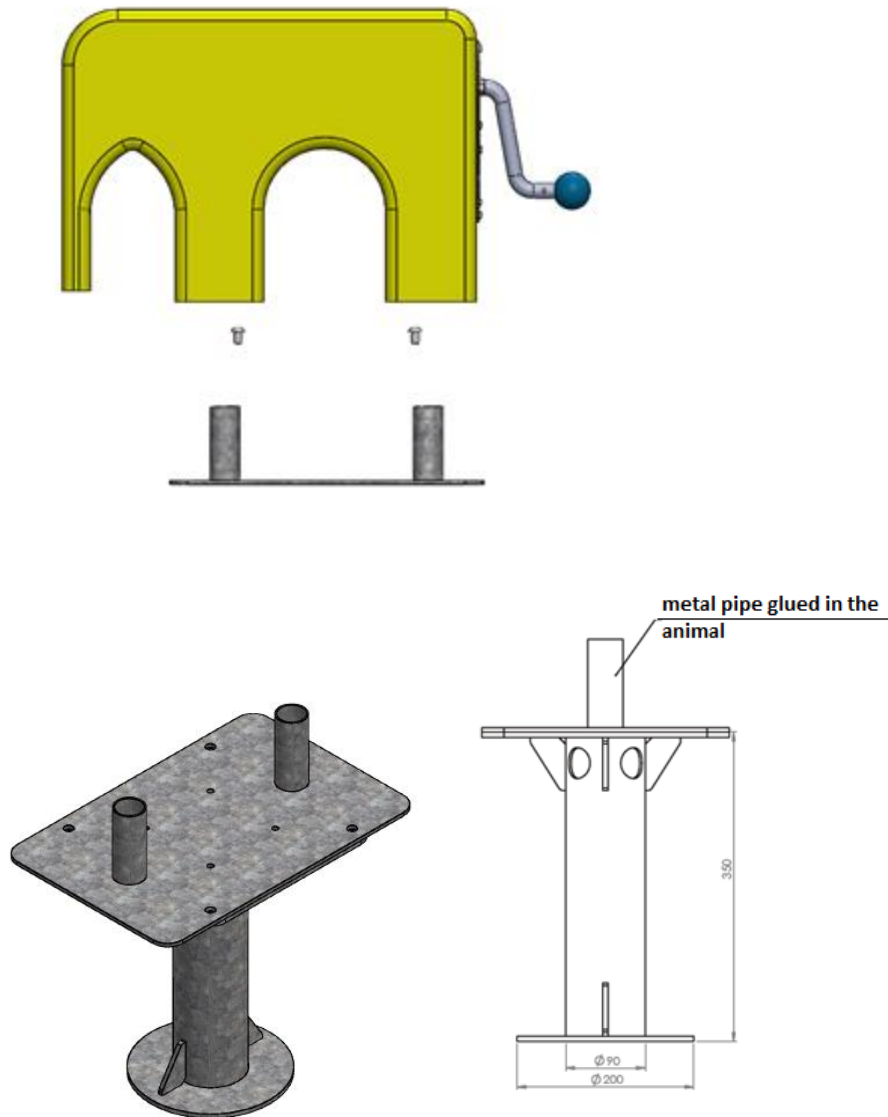


All information without guarantee, subject to change. The installation instruction is not subject to any change service. Each current and valid from can be recalled at www.kraiburg-relastec.com/euroflex/

Seite 1 von 5

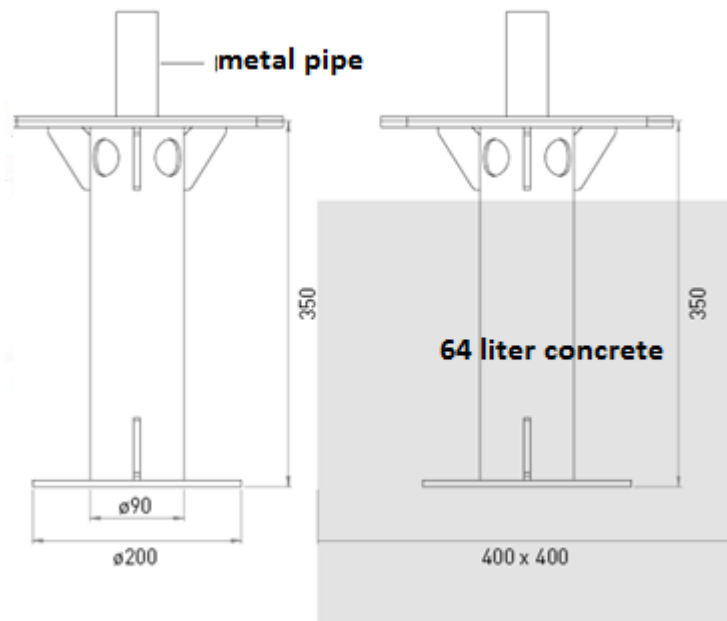
Outdoor

For unbounded subbase use the additional installation tool and insert them in a fresh concrete bed C 12/15. After curing process screw them together with the base plate.



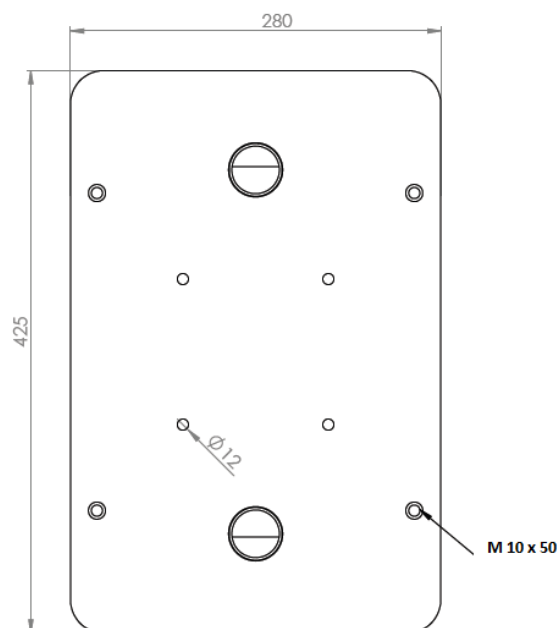
All information without guarantee, subject to change. The installation instruction is not subject to any change service. Each current and valid from can be recalled at www.kraiburg-relastec.com/euroflex/

Seite 2 von 5



Outdoor and Indoor

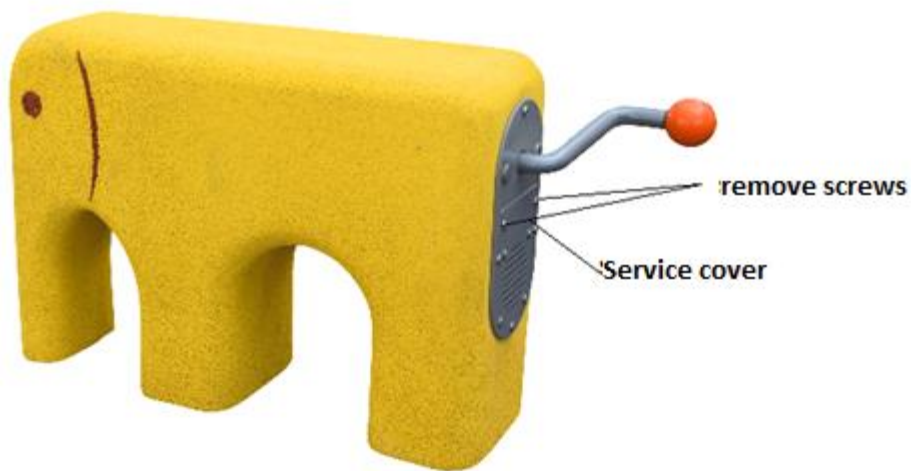
For bonded subbase like concrete or asphalt it could be easy done with screwing the metal plate to the subbase.



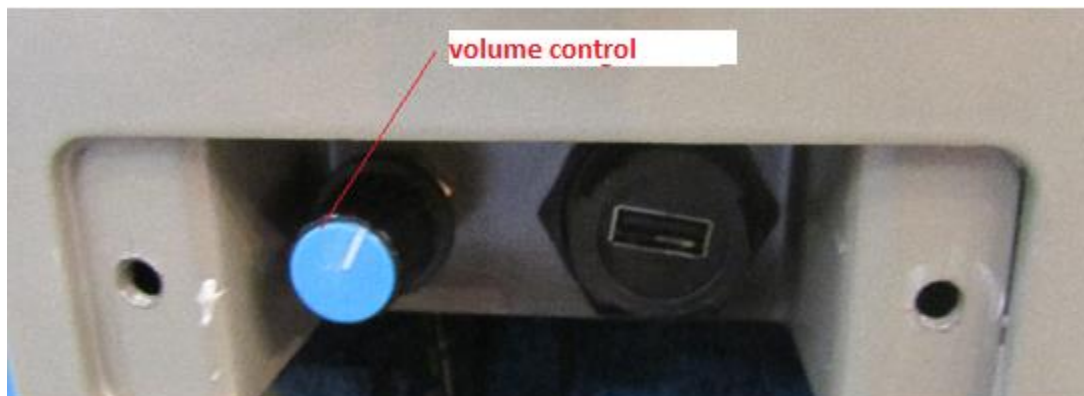
All information without guarantee, subject to change. The installation instruction is not subject to any change service. Each current and valid from can be recalled at www.kraiburg-relastec.com/euroflex/

Operating Guidelines

After installation it is recommended to make the first sound check to find the ideal sound volume for the special installation place. Therefore it is necessary to open the little metal flap in the back part with the special hex-wrench.



Generate energy with rotation of the crank without a special direction.

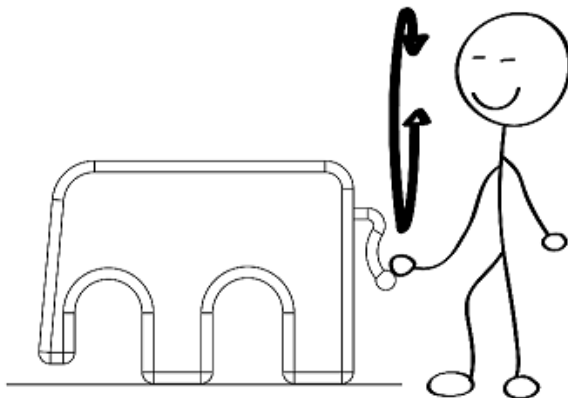


All information without guarantee, subject to change. The installation instruction is not subject to any change service. Each current and valid from can be recalled at www.kraiburg-relastec.com/euroflex/

Seite 4 von 5



After adjustment of the sound volume the service coverage must be closed.
The playing time of the music or the little stories dependent on the rotation activity and could be create individually.



All information without guarantee, subject to change. The installation instruction is not subject to any change service. Each current and valid from can be recalled at www.kraiburg-relastec.com/euroflex/

Seite 5 von 5